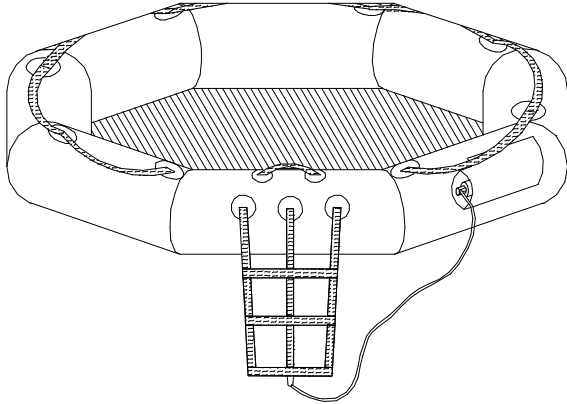


# Super-Light™ RescueRaft™

## STANDARD EQUIPMENT Includes:

- ? CO<sub>2</sub>/N<sub>2</sub> Inflation System w/ Oversized Buoyancy Tube
- ? 3 Rung Boarding Ladder
- ? Bowed Boarding Assist Handle
- ? Water Activated Survivor Locator Light
- ? Auto-Deploying Conical Drogue (Sea-Anchor) w/ 25' Line & Anti-Foul Swivels
- ? 35' Painter Line w/ Quick-Release Fittings
- ? Unidirectional Retro/Radar Reflective Segment
- ? Unidirectional Retro Reflective Segments
- ? 1" Lifeline
- ? Pressure Relief Valve
- ? Topping-Up Valve
- ? Urethane Valise



NOT TO SCALE

## Standard Survival Equipment Includes:

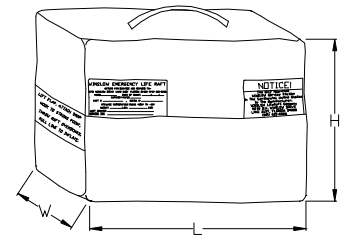
- ✂ Standard Bellows Topping Up Pump w/ Adapter
- ✂ Raft Knife

WINSLOW Model #	Rated Capacity	Dimensions				Weight	
		H	x	W	x		L
40SLRR	4	8"	x	14"	x	16"	16 lbs
60SLRR	6	8"	x	15"	x	20"	23 lbs
80SLRR	8	9"	x	16"	x	21"	28 lbs

Weights Are Approximate

## Optional (\$175.00) RescuePack™ Survival Equipment Package:

- ✂ Repair Kit (Includes: Repair Tape, Repair Clamp (3") & 2 PRV Plugs w/ Tether)
- ✂ Collapsible Bailer Bucket w/ Handle
- ✂ Sponges
- ✂ Paddles w/ Retro Reflective Segments
- ✂ Signal Mirror (2" x 3")
- ✂ USCG/SOLAS Whistle
- ✂ Extended Life Flashlight (Sealed Case)
- ✂ Hand Held Locator Flares
- ✂ Orange Smoke Signal
- ✂ Utility Knife (SS Lockback)
- ✂ Survival Manual



NOT TO SCALE

(800) 838-3012 ~ Fax (941) 613-6677  
[www.winslowliferaft.com](http://www.winslowliferaft.com) ~ [rafts@winslowliferaft.com](mailto:rafts@winslowliferaft.com)

IF THIS DOCUMENT HAS BEEN TRANSFERRED TO YOU ELECTRONICALLY, WINSLOW® RETAINS THE OFFICIAL RECORD. SUBSEQUENT ALTERATIONS WILL BE DISREGARDED. RATES SUBJECT TO CHANGE WITHOUT NOTICE.

## Available Optional Equipment

<b>Fixed Life Raft Equipment</b>	
	Ballast - Standard Size - Per Bag
	Ballast - Cape Horn Series - Per Bag
	Inside Boarding Ladder
	Boarding Platform
<b>Life Raft Pack Options</b>	
	Valise - Additional Handles (Set of Two)
	Valise Custom Dimensional Packing
	Ultima Wrap™ Vacuum Seal (3 yr. Protection)
<b>Repair Equipment</b>	
	Repair Clamp, Mil Spec - 3" (Additional)
	Repair Clamp, Mil Spec - 5"

<b>Signaling Devices</b>	
	Cyalume Stick (Red)
	Flare - Parachute USCG/SOLAS
	Flare - Red Hand Held Locator - USCG/SOLAS
	Rescue Streamer™ High Visibility Ribbon (11" x 40')
<b>First Aid Equipment</b>	
	First Aid Kit
	Multi-Purpose Poly Bag (18" x 13" x 6 Mil)
<b>Hypothermia Protection</b>	
	I2DF™ Inflatable Insulated Double Floor – 4 person
	I2DF™ Inflatable Insulated Double Floor – 6 person
	I2DF™ Inflatable Insulated Double Floor – 8 person
<b>Miscellaneous Survival Supplies</b>	
	Fishing Kit
	Floating Heaving Trailing Line 75'
	Playing Cards (Waterproof)
	Inflate-A-Potty w/ 3 Inserts

WINSLOW® LifeRaft Company reserves the right to substitute comparable brands when necessary.



(800) 838-3012 ~ Fax (941) 613-6677  
**www.winslowliferaft.com ~ rafts@winslowliferaft.com**

IF THIS DOCUMENT HAS BEEN TRANSFERRED TO YOU ELECTRONICALLY, WINSLOW® RETAINS THE OFFICIAL RECORD. SUBSEQUENT ALTERATIONS WILL BE DISREGARDED. RATES SUBJECT TO CHANGE WITHOUT NOTICE.
--